

WIRING DIAGRAMS

Article Text

1993 Mazda MX-3

For NONE

Copyright © 1998 Mitchell Repair Information Company, LLC
Saturday, September 11, 2004 05:53PM

ARTICLE BEGINNING

1993 WIRING DIAGRAMS
Mazda Wiring Diagrams

Mazda; MX-3

IDENTIFICATION

COMPONENT LOCATION MENU

COMPONENT LOCATIONS TABLE

Component	Figure No. (Location)
A/C COMPONENT CLUTCH	8 (A 29,A 30)
A/C RELAY	8 (A 28,A 31)
A/C SWITCH	8 (B 29-30)
AUTOMATIC TRANSMISSION SHIFT ILLUMINATOR LIGHT	6 (E 23)
ABS SYSTEM	7 (C-E 24,27)
AIRFLOW SYSTEM	2,3,4 (C 7,B 11,B 15)
ALTERNATOR	1 (D 2)
BACK-UP LIGHT SWITCH	10 (E 38)
BATTERY	1 (A 2)
BLOWER MOTOR	8 (C 28)
BLOWER SWITCH	8 (B 28)
BRAKE FLUID LEVEL SENSOR	9 (A 34)
BUCKLE SWITCH	5 (E 18)
CARGO LIGHT	10 (C-D 37)
CIGARETTE LIGHTER	6 (E 21)
CIRCUIT OPENING RELAY	2,3,4 (A 7,A 11,C 15)
CLUTCH SWITCH	2,4 (A 4, A 12)
COMBINATION SWITCH	8,9 (E 28,C-E 35)
CONDENSER FAN	8 (A 29,A 30)
COOLANT THERMO SWITCH (4 CYL)	7 (A 27)
COOLING FAN SYSTEM	7 (A-C,26-27)
CENTRAL PROCESSING UNIT (CPU)	6 (B-C,22-23)
CRANK ANGLE SENSOR (V6)	4 (E 13)
CRUISE CONTROL (V6)	8 (C-E 28-29)
DEFOGGER GRID	10 (D 39)
DIAGNOSTIC CONNECTOR	2,3,4 (A 4,A 8,D 15)
DISTRIBUTOR (V6)	4 (E 15)
DOOR LOCK TIMER UNIT	10 (A 36)
DOOR SWITCH	5 (E 16)
DOOR SWITCH (PASSIVE BELTS)	8 (C-D 30)
EC-AT CONTROL UNIT	7 (A-B 24)
EC-AT SOLENOID & INHIBITOR SWITCH	3,7 (C-D 11,C-D 24)
EGI MAIN RELAY	2,3,4 (B 7,A 11,C 15)
FLASHER UNIT	9 (D 32)
FUEL TANK UNIT	10 (A 38)
FUSE BLOCK	5,6 (B-D 17-22)
HAZARD/DEFOGGER SWITCH	6 (E 22)
HEADLIGHT RELAY	9 (D 33)
HOLD SWITCH	3,7 (A 10,A 26)
HORN RELAY	9 (D 34)
HYDRAULIC UNIT (ABS)	7 (C-D 26)
IGNITION COIL	2,3 (D 7,E 11)
IGNITION KEY ILLUMINATOR SWITCH	6 (B 23)
IGNITION SWITCH	5 (B-C 16)
ILLUMINATOR LIGHTS	6 (E 23)

ILLUMINATOR LIGHTS RHEOSTAT	6 (D 23)
INSTRUMENT CLUSTER	9 (A-D 32-34)
KEY REMINDER SWITCH	5 (A 19)
KNOCK SENSOR (V6)	4 (C 13)
MAIN FUSE BLOCK	1 (B-C 2-3)
NEUTRAL SWITCH	2,4 (A 4,A 12)
O2 SENSOR	2,3,4 (C 7,B 11,A 13-14)
PARKING BRAKE SWITCH	9 (A 34)
PASSIVE SHOULDER BELT CONTROL UNIT	8 (C-E 31)
POWER DOOR LOCKS	10 (A 36-37)
POWER MIRRORS	10 (B 36-38)
POWER WINDOWS	10 (C 36)
POWERTRAIN CONTROL MODULE (4 CYL, A/T)	3 (A-E 8)
POWERTRAIN CONTROL MODULE (4 CYL, M/T)	2 (B-E 4)
POWERTRAIN CONTROL MODULE (V6)	4 (B-E 12)
REAR DEFOGGER RELAY	9 (E 33)
REAR WASHER MOTOR	10 (D 36)
REAR WIPER MOTOR	10 (D 36)
REAR WIPER WASHER SWITCH	9 (B-C 35)
SHIFTLOCK UNIT	10 (E 36-37)
STARTER	1 (A 3)
STARTER INTERLOCK SWITCH (M/T)	1 (B 3)
STOP LIGHT SWITCH	6 (E 20)
SUB FUSE BLOCK	1 (B 2)
SUNROOF	10 (C-D 38)
SUNROOF/INTERIOR LIGHT SWITCH	10 (D-E 38)
THERMO SWITCH (A/C)	8 (B 29-30)
THROTTLE SENSOR (V6)	4 (A 15)
TNS RELAY	9 (E 35)
WINDSHIELD WIPER/WASHER	9 (C-D 34-35)

GROUND LOCATION MENU

GROUND LOCATIONS TABLE

Component	Figure No. (Location)
GROUND A: (ENGINE BLOCK)	1 (A 2)
GROUND B: (LEFT ENGINE COMPARTMENT, NEAR MAIN FUSE BLOCK, JC-01)	1 (D 3)
GROUND C: (RIGHT SIDE OF ENGINE COMPARTMENT JC-02)	1 (D-E 3)
GROUND D: (LEFT SIDE OF UNDERDASH, NEAR FUSE BLOCK JC-03)	1 (E 3)
GROUND E: (LEFT REAR ENGINE COMPT JC-04)	1 (E 3)
GROUND F: (CENTER OF UNDERDASH, RIGHT OF ECU, JC-05)	6 (A 22)
GROUND G: (REAR OF ENGINE BLOCK)	6 (A 21)
GROUND H: (FRONT OF ENGINE BLOCK)	6 (B 21)
GROUND I: (LEFT SIDE OF UNDERDASH, ABOVE FUSE BLOCK)	6 (E 21)
GROUND J: (UNDERDASH, BELOW INSTR CLUSTER)	6 (E 21)
GROUND K: (RIGHT REAR CORNER OF ENGINE COMPARTMENT)	8 (B 30)
GROUND L: (LEFT REAR WHEEL WELL)	10 (B 39)
GROUND M: (RIGHT REAR LUGGAGE COMPT)	10 (B-C 39)
GROUND N: (AT SUNROOF/INTERIOR LT SW)	10 (D 37-38)
GROUND O: (LEFT REAR HATCH)	10 (D 39)
GROUND P: (RIGHT SIDE OF REAR HATCH)	10 (D 39)

WIRING DIAGRAM

COMPONENT LOCATOR:

A/C COMP CLUTCH	A 28, A 30
A/C RELAY	A 28, A 31
A/C SW	B 29-30
A/T SHIFT ILLUM LT	F 23
ABS SYSTEM	C-E 24-27
AIRFLOW SYSTEM	C 7, B 11, 9 15
ALTERNATOR	D 2
BACK-UP LT SW	E 28
BATTERY	A 4, A 12
BLOWER MOTOR	C 29
BLOWER SW	B 29
BRAKE FLUID LEVEL SENSOR	A 34
BUCKLE SW	E 19
CARGO LT	C 27
CIG LTR	E 21
CIRCUIT OPENING RELAY	A 7, A 11, C 15
CLUTCH SW	A 4, A 12
COMBINATION SW	E 28/C-E 25
CONDENSOR FAN	A 28, A 30
COOLANT THERMO SW (M/T)	A 27
COOLING FAN SYSTEM	A/C 25-27
CPU	B-C 22-23
CRANK ANGLE SENSOR (V6)	E 13
CRUISE CONTROL (V6)	C-E 28-29
DEFOGGER GRID	D 38
DIAG CONN	A 4, A 12, 15
DISTRIBUTOR (V6)	E 15
DOOR LOCK TIMER UNIT	A 36
DOOR SWS	A 36
DOOR SWS (PASSIVE BELTS)	D-30
EC-AT CONTROL UNIT	A-B 24
EC-AT SOL & INHIBITOR SW	C-D 11, C-D 24
EGI MAIN RELAY	B 7, A 11, C 15
FLASHER UNIT	D 32
FUEL TANK UNIT	C 29
FUSE BLOCK	B-D 17-29
GROUND A	A 2
GROUND B	A 2
GROUND C	D-E 3
GROUND D	E 3
GROUND E	E 3
GROUND F	A 22
GROUND G	A 22
GROUND H	B-C 28
GROUND I	E 21
GROUND J	E 21
GROUND K	B 30
GROUND L	B 39
GROUND M	B-C 28
GROUND N	D 37-38
GROUND O	D 38
GROUND P	D 38
HAZARD/DEFOGGER SW	E 22
HEADLT RELAY	D 34
HOLD SW	A 16, A 26
HORN RELAY	D 34
HYDRAULIC UNIT (ABS)	C-D 26
IGNITION COIL	D 7, E 11
IGNITION KEY ILLUM LT	B 23
IGNITION SW	B-C 16
ILLUM LTS RHEOSTAT	D 23
INST CLSTR	A-D 32-34
KEY REMINDER SW	A 19
KNOCK SENSOR (V6)	C 13
MAIN FUSE BLOCK	B-C 2-8
NEUTRAL SW	A 4, A 12
O2 SENSOR	C 7, B 11, A 13-14
PARKING BRAKE SW	A 34
PASSIVE SHOULDER	C-E 31
BELT CONTROL UNIT	C-E 31
POWER DOOR LOCKS	A 38-37
POWER MIRRORS	B 30-28
POWER WINDOWS	C 36
POWERTRAIN CONTROL MODULE (PCM) (4 CYL, A/T)	A-E 8
POWERTRAIN CONTROL MODULE (PCM) (4 CYL, M/T)	B-E 4
POWERTRAIN CONTROL MODULE (PCM) (V6)	B-E 12
REAR DEFOGGER RELAY	E 33
REAR WIPER MOTOR	D 26
REAR WIPER SW	D 26
REAR WIPER WASHER SW	E 35
SHIFTLOCK UNIT	E 35-37
STARTER	A 3
STARTER INTERLOCK SW (M/T)	B 3
STOP LT SW	E 20
SUB FUSE BLOCK	B 2
SUNROOF	C-D 28
SUNROOF/INTERIOR LT SW	C-E 38
THERMO SW (A/C)	B 29-30
THROTTLE SENSOR (V6)	A 15
TNS RELAY	E 36
W/SHIELD WIPER/WASHER	C-D 34-35

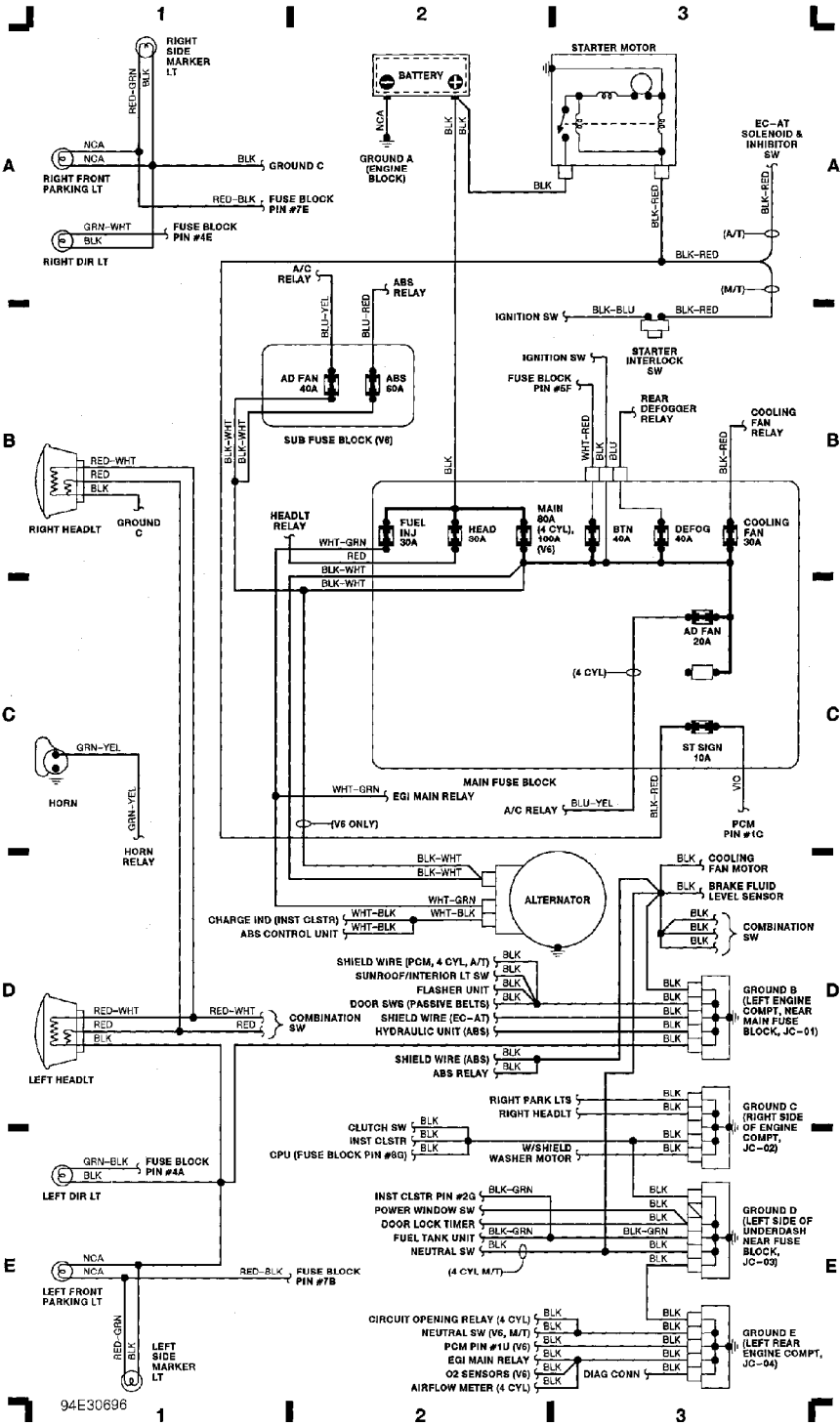


Fig. 1: Main Fuse Block, Battery, Starter Motor (Grid 1-3)

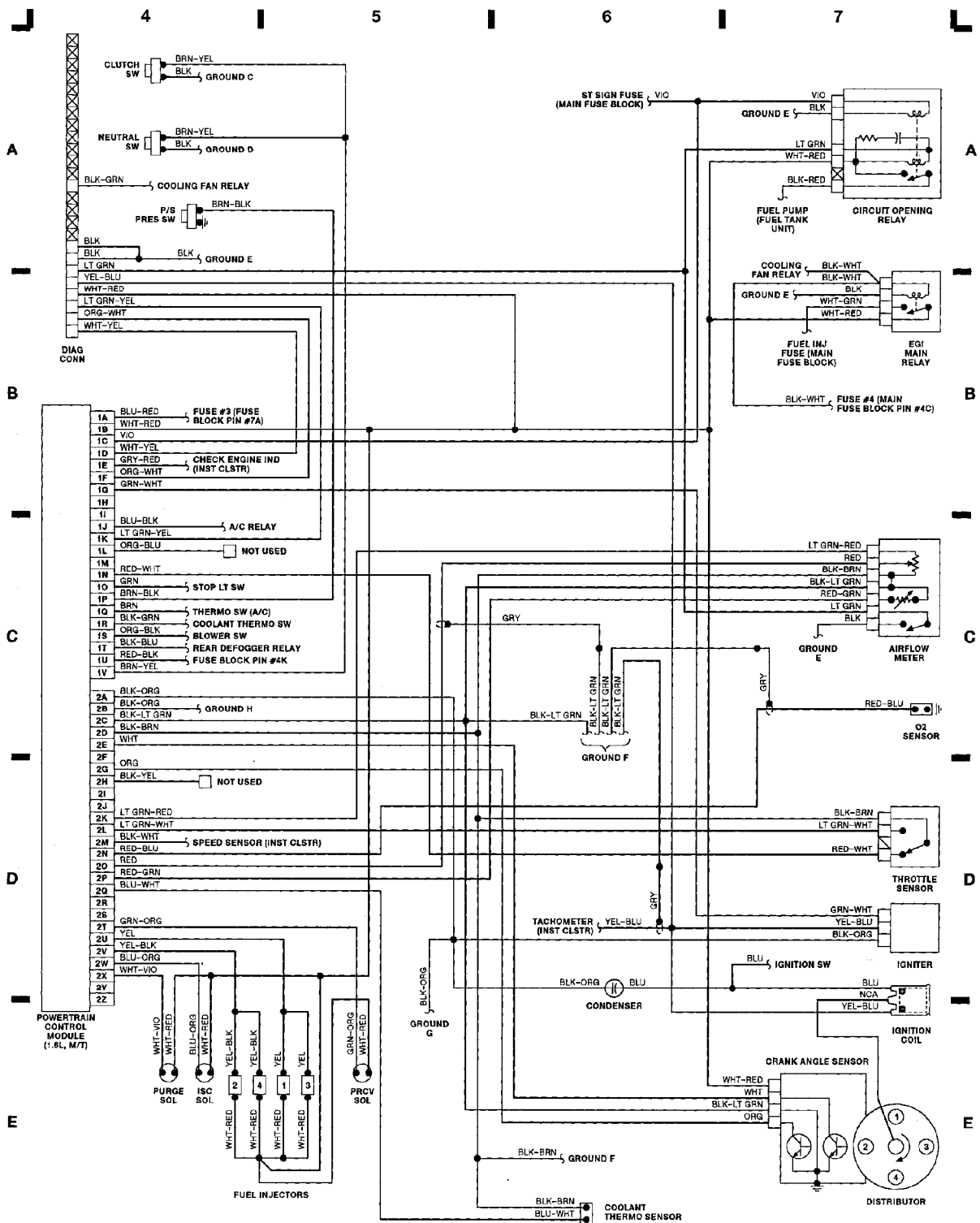


Fig. 2: Powertrain Control Module, Distributor (Grid 4-7)
WIRING DIAGRAM Article Text (p. 4) 1993 Mazda MX-3 For NONE Copyright © 1998 Mitchell Repair Information Cor

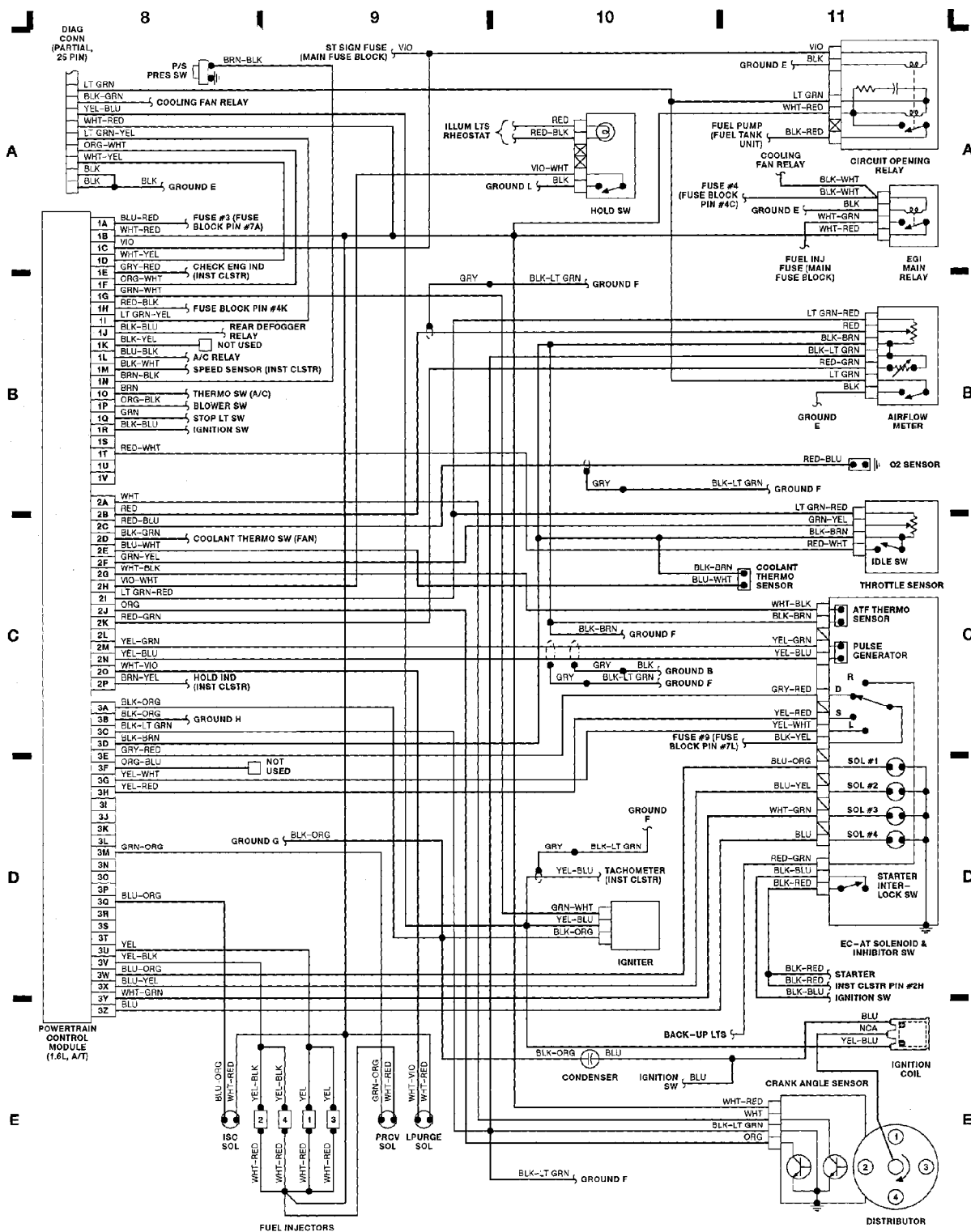


Fig. 3: Powertrain Control Module, Diag Conn (Grid 8-11)
WIRING DIAGRAM Article Text (p. 5) 1993 Mazda MX-3 For NONE Copyright © 1998 Mitchell Repair Information Cor

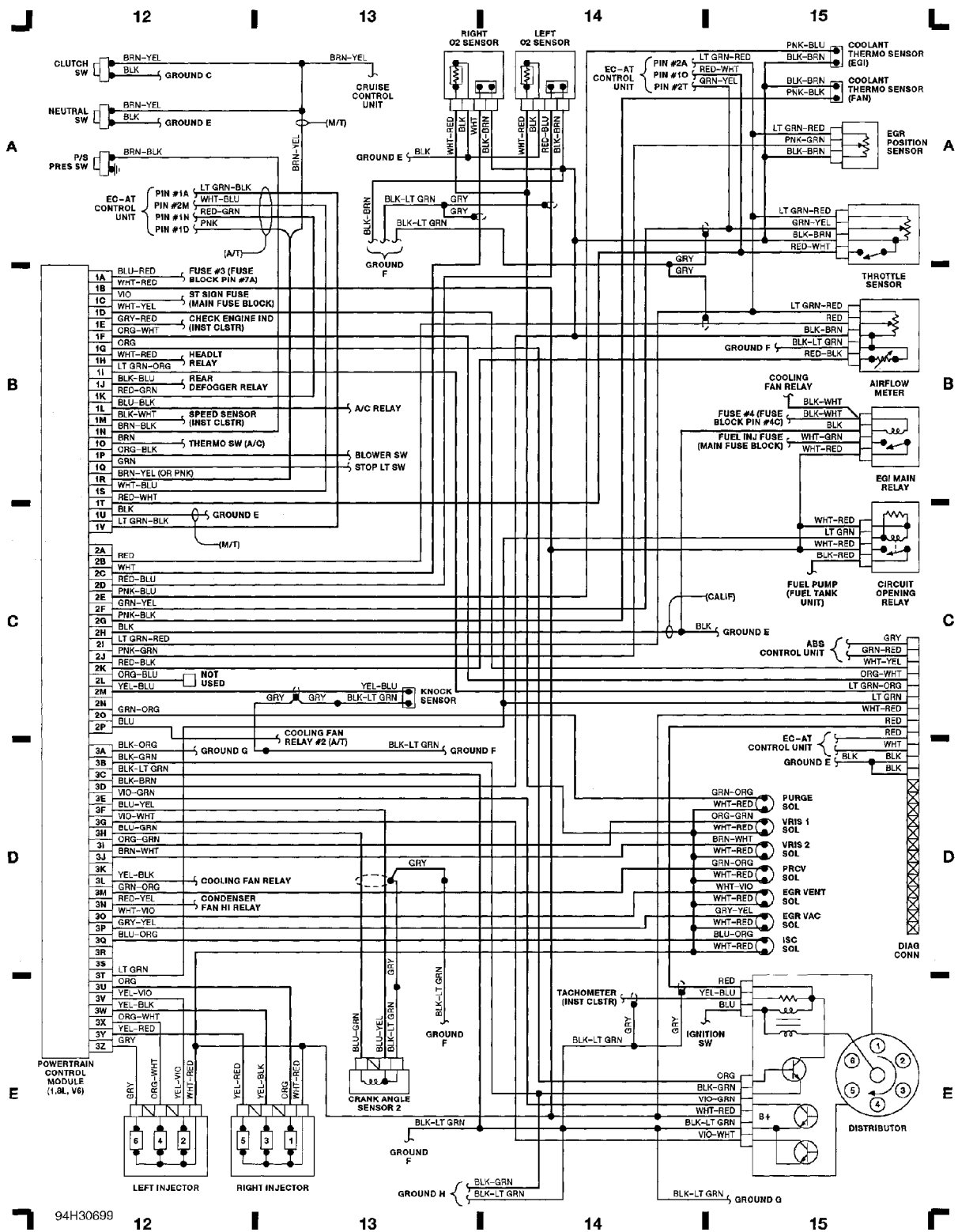
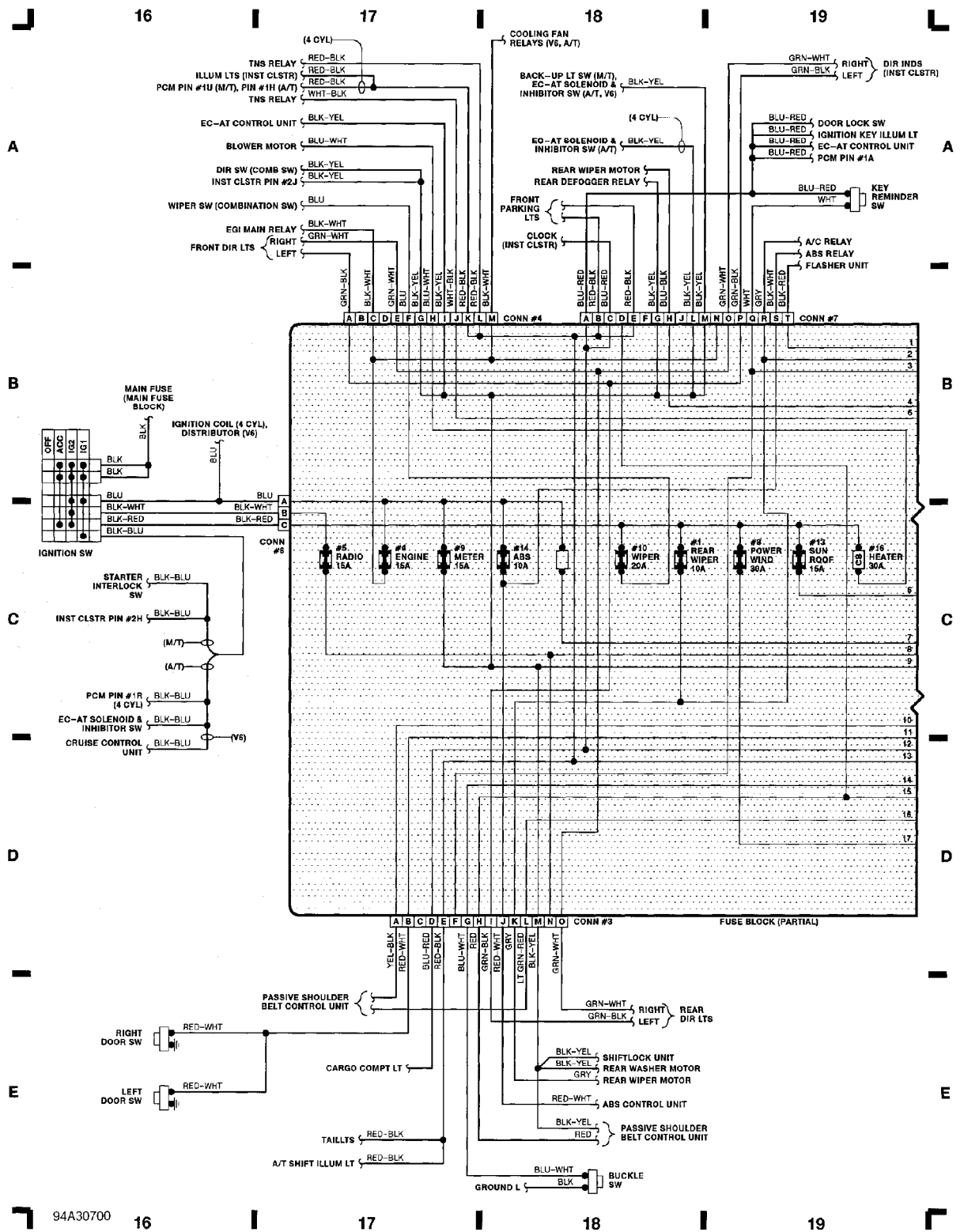


Fig. 4: Powertrain Control Module, Clutch SW (Grid 12-15)
WIRING DIAGRAM Article Text (p. 6) 993 Mazda MX-3 or NONE Copyright © 1998 Mitchell Repair Information Cor



94A30700

Fig. 5: Fuse Block, Ignition SW (Grid 16-19)
WIRING DIAGRAM Article Text (p. 7) 1993 Mazda MX-3 For NONE Copyright © 1998 Mitchell Repair Information Cor

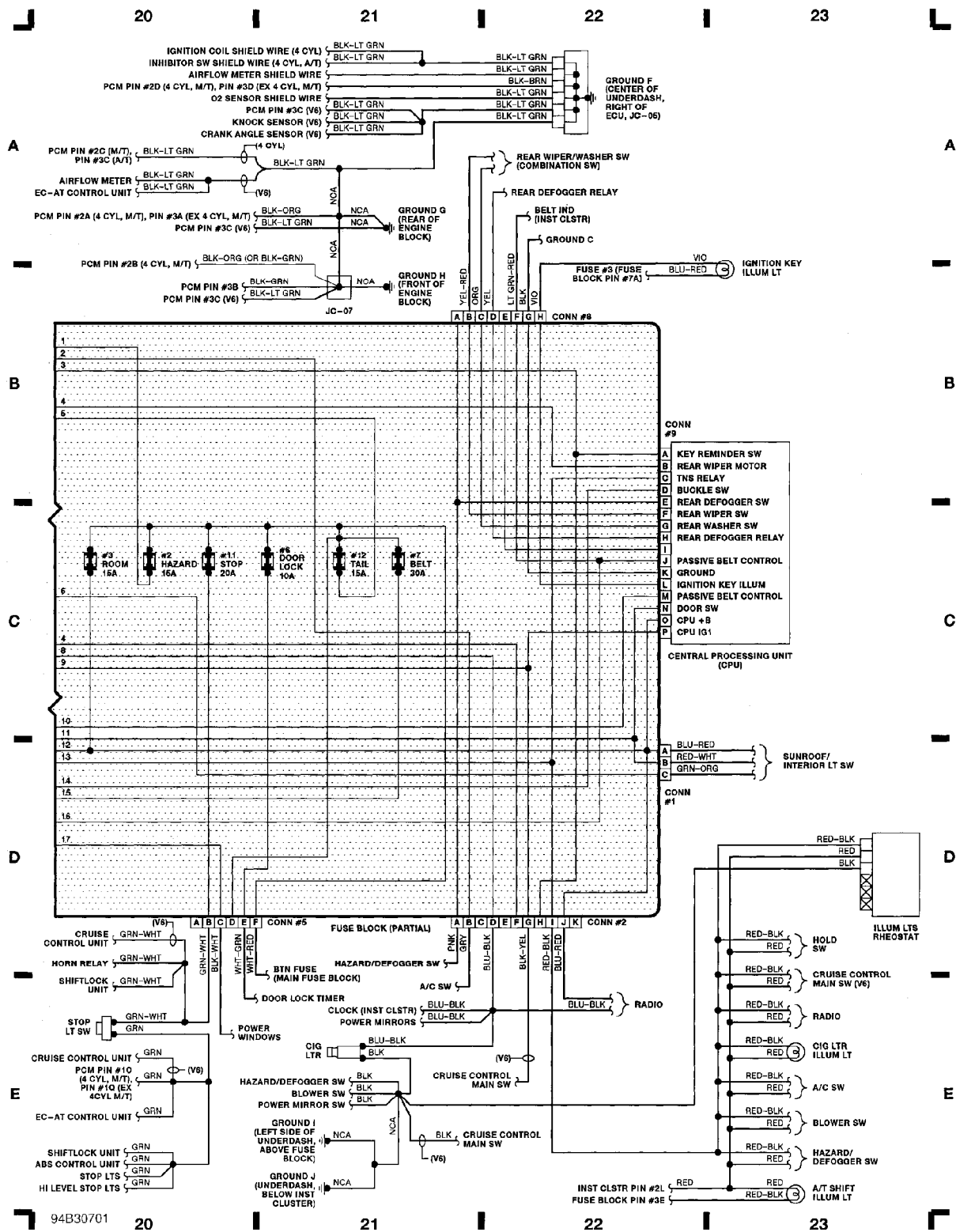
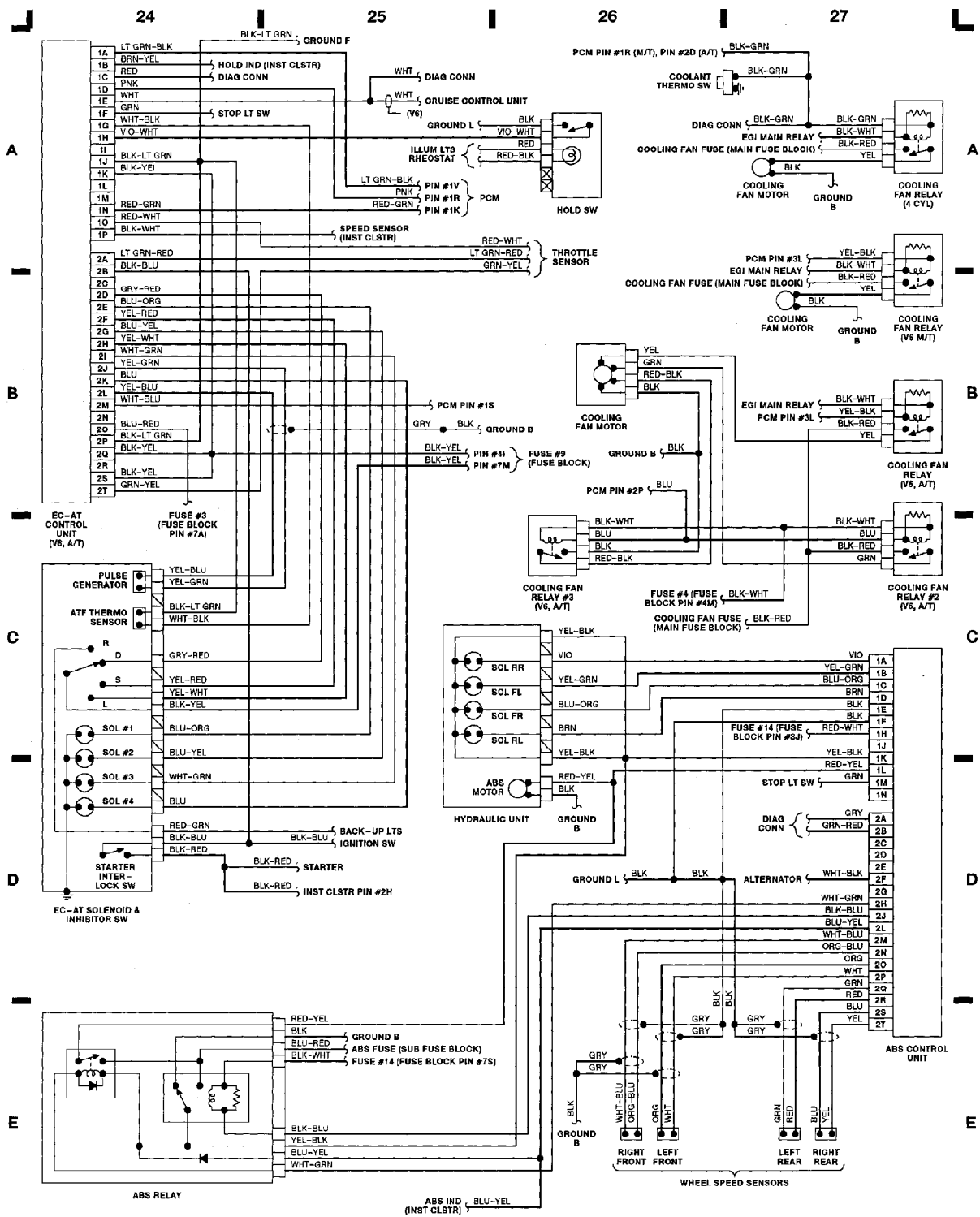


Fig. 6: Fuse Block, Sunroof/Interior Lt SW (Grid 20-23) **WIRING DIAGRAM** Article Text (p. 8) 1993 Mazda MX-3 For NONE Copyright © 1998 Mitchell Repair Information Cor



94C30702
 Fig. 7: ABS Control Unit, ABS Relay, EC-AT Control (Grid 24-27)
WIRING DIAGRAM Article Text (p. 9) 1993 Mazda MX-3 For NONE Copyright © 1998 Mitchell Repair Information Cor

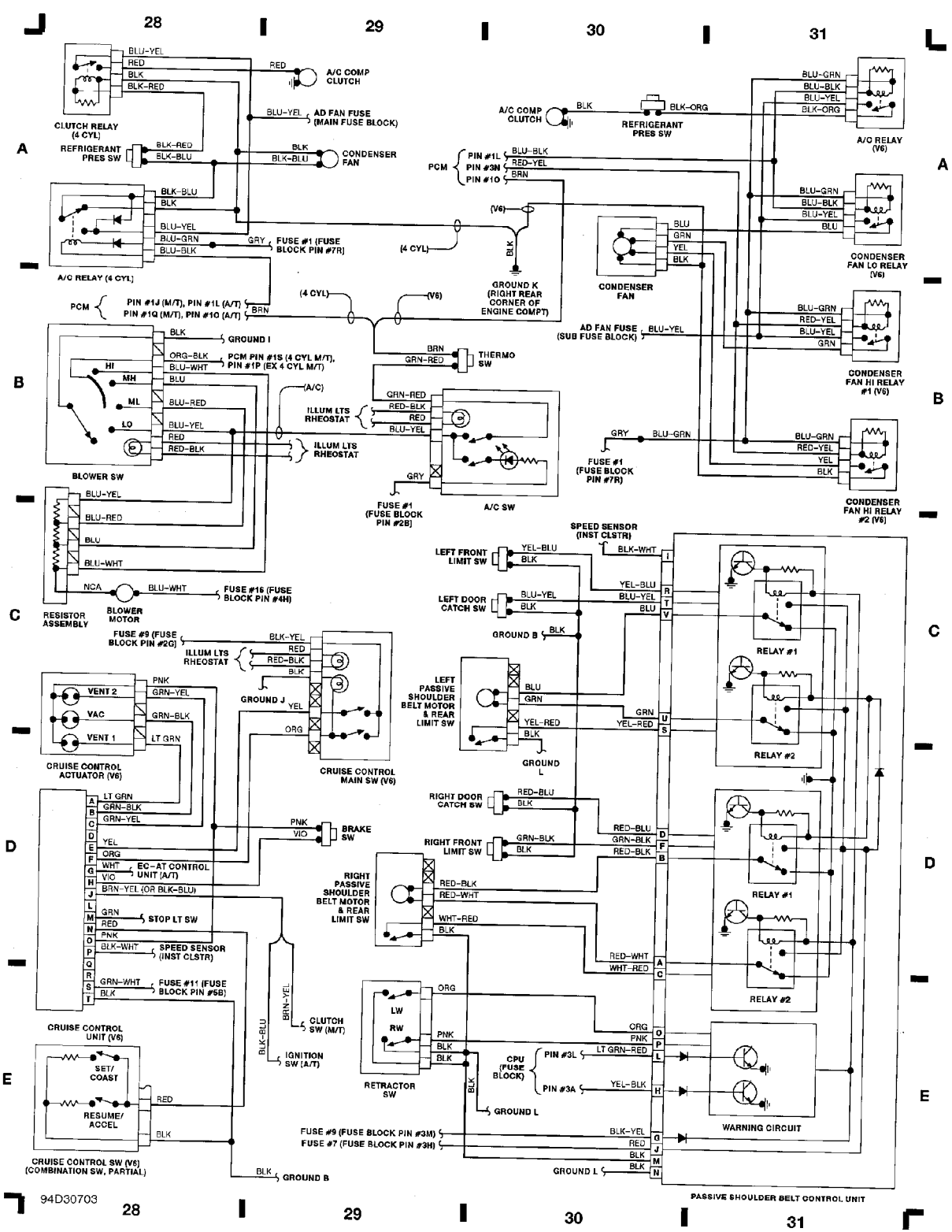


Fig. 8: Cruise Ctrl, Passive Shoulder Belt Ctrl Unit (Grid 28-31) **WIRING DIAGRAM** Article Text (p. 10) 1993 Mazda MX-3 For NONE Copyright © 1998 Mitchell Repair Information Co

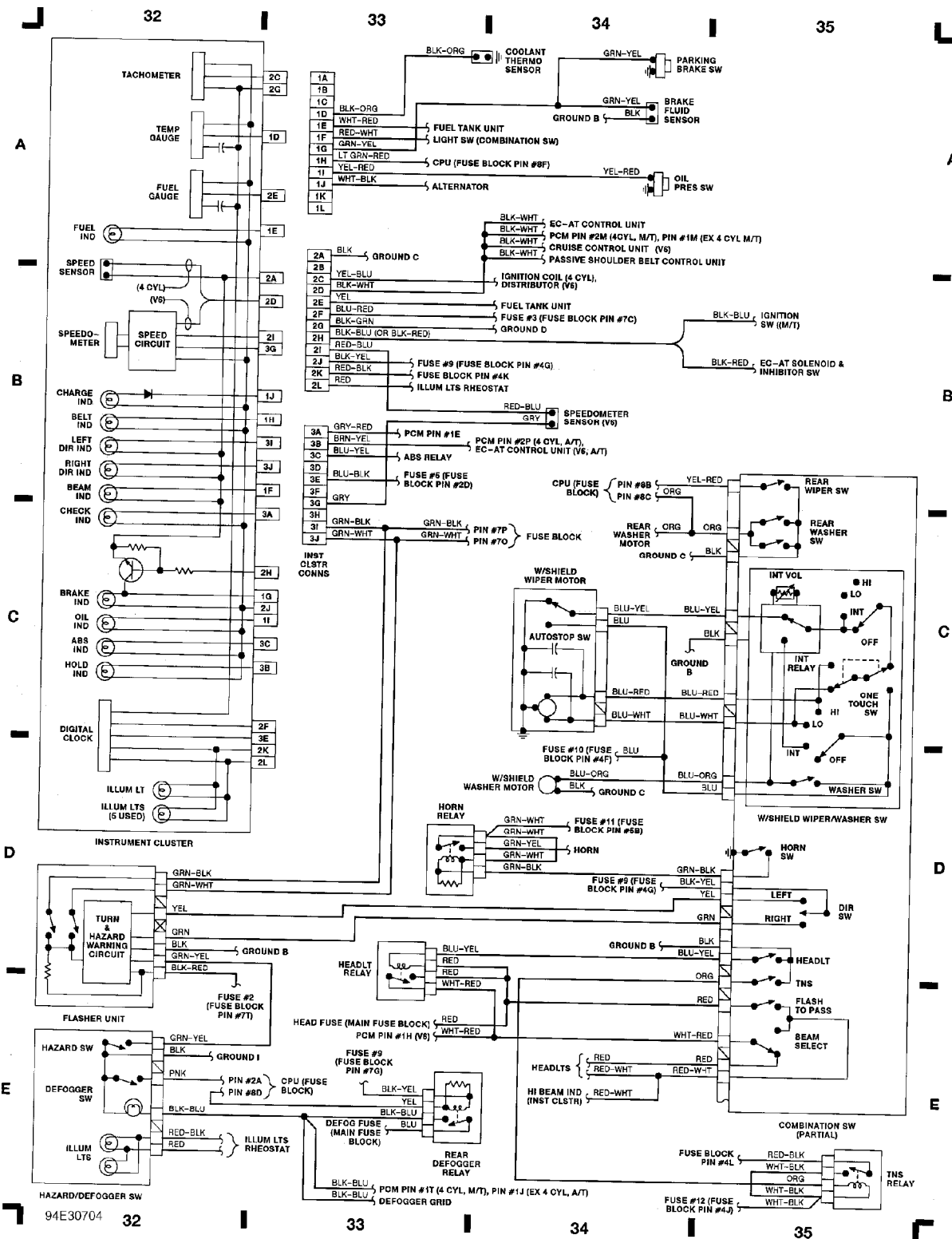


Fig. 9: Instrument Clstr, Comb Sw, Haz/Defogr Sw (Grid 32-35)
WIRING DIAGRAM Article Text (p. 11) 1993 Mazda MX-3 For NONE Copyright © 1998 Mitchell Repair Information Co

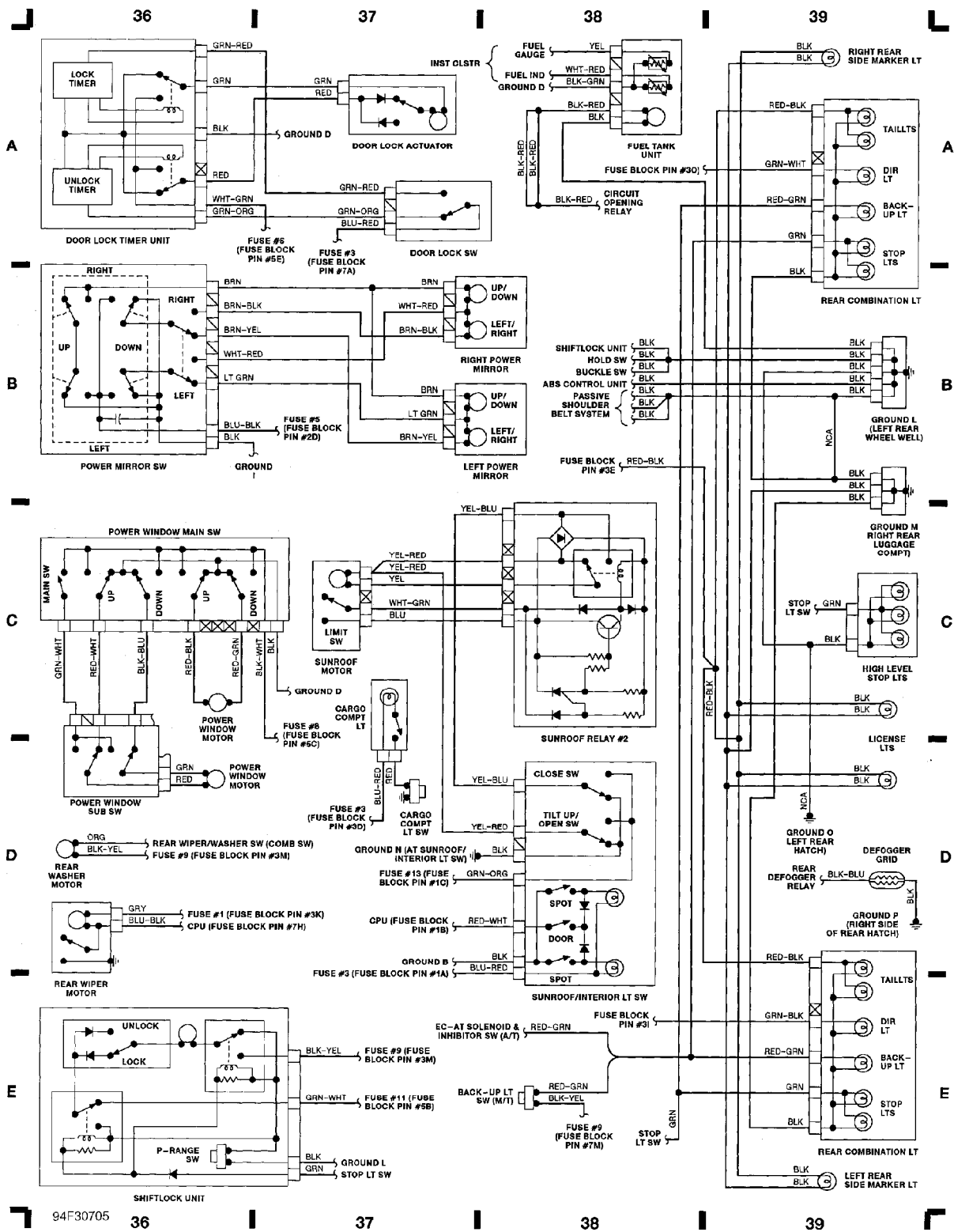


Fig. 10: Shiftlock Unit, Power Mirror SW (Grid 36-39) **WIRING DIAGRAM** Article Text (p. 12) 1993 Mazda MX-3 For NONE Copyright © 1998 Mitchell Repair Information Co
END OF ARTICLE